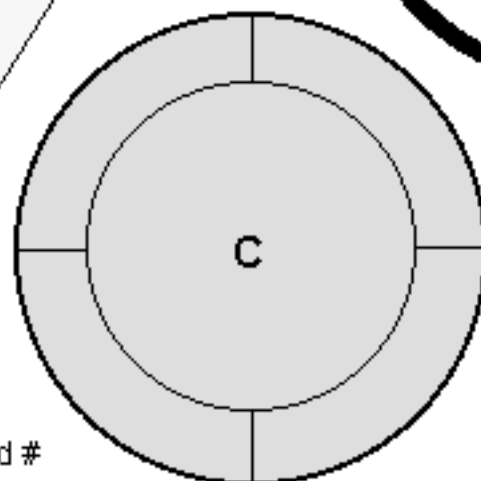
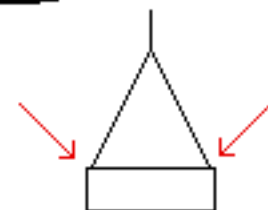
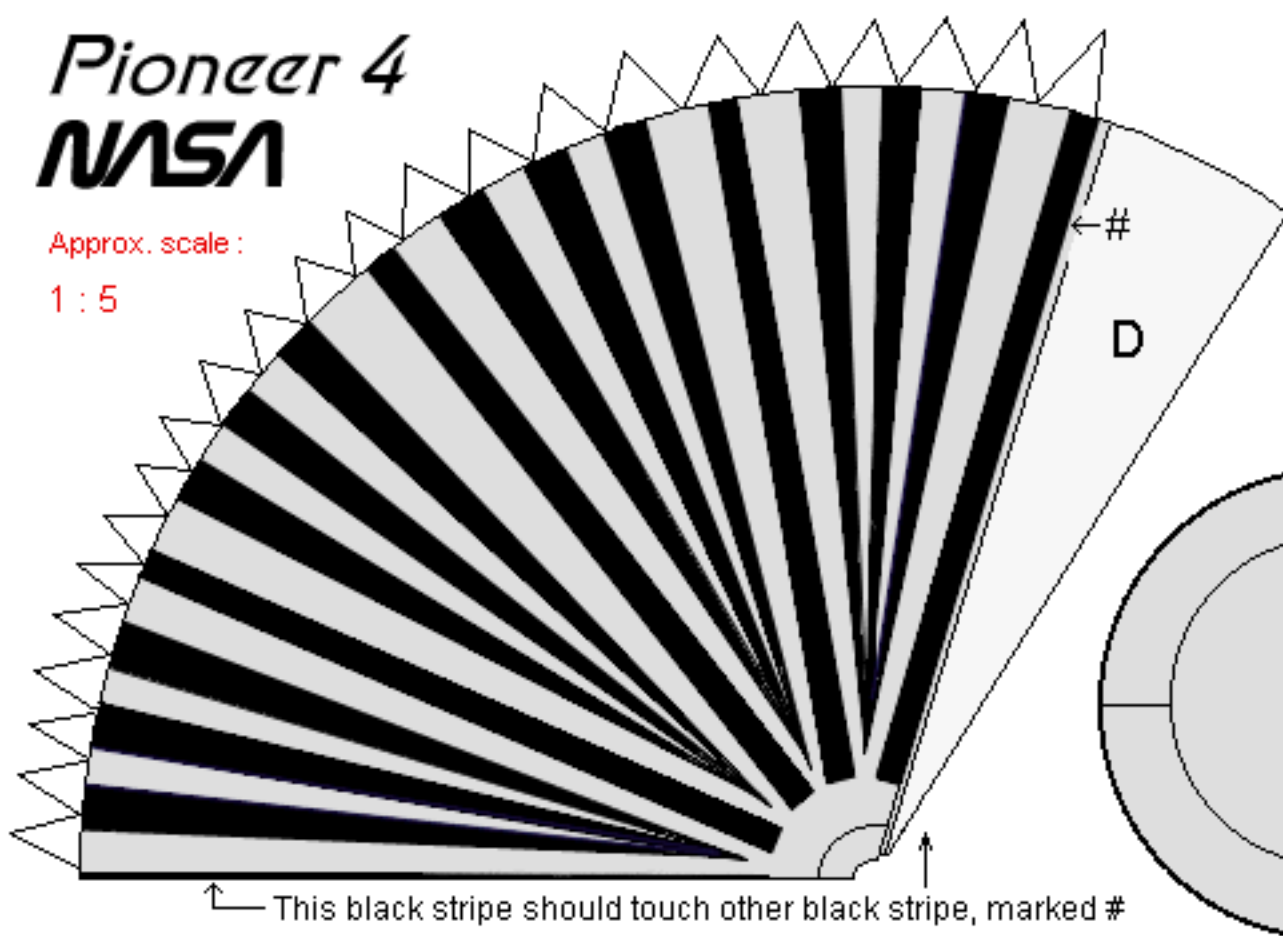


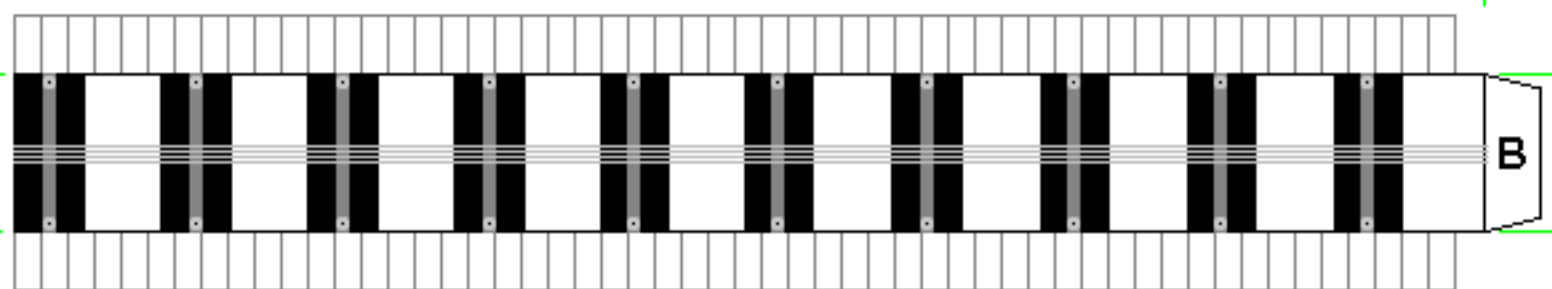
# Pioneer 4 NASA

Approx. scale :  
1 : 5

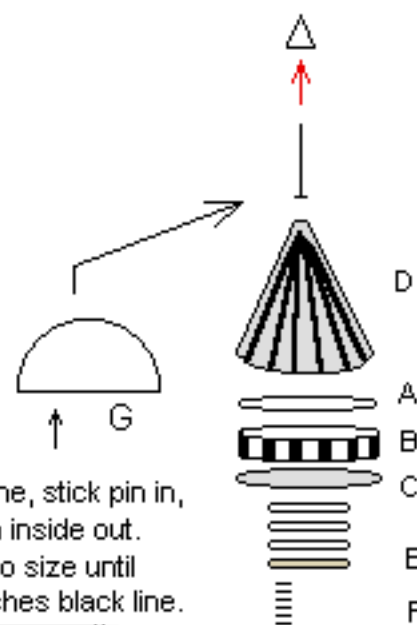


↑ This black stripe should touch other black stripe, marked #

Cut out A first, than fit B and C accordingly. Last, fit large cone.



Cut and stack the 6 squares. Try to make the stack +/- 3 mm thick ( 1/8th inch )  
Glue stack on black square at the bottom.



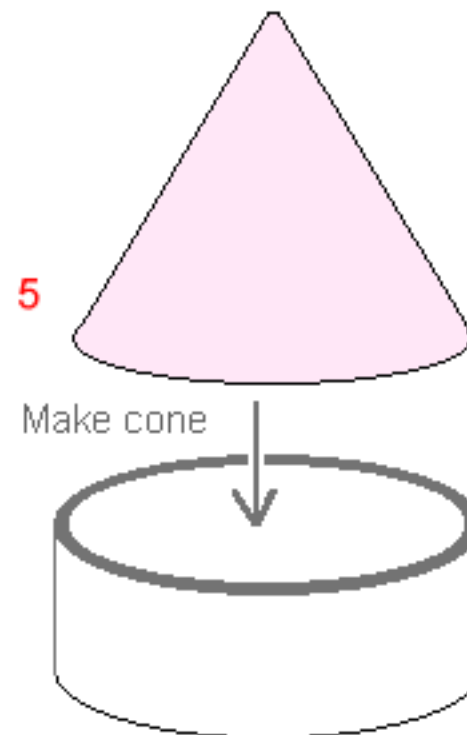
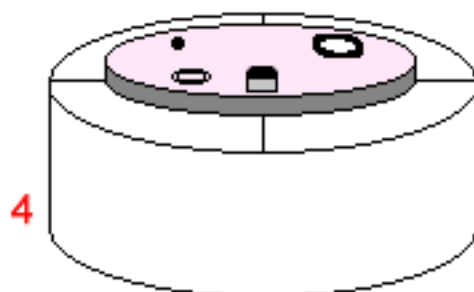
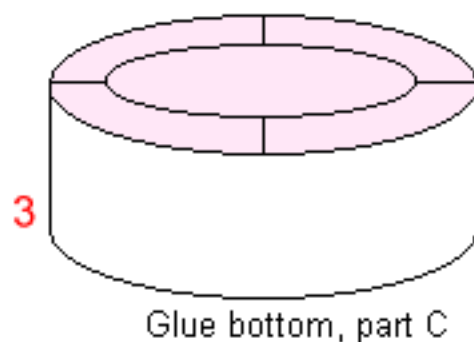
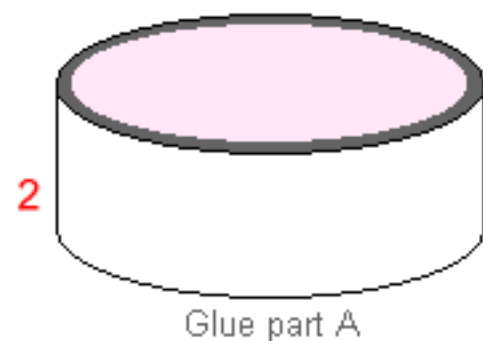
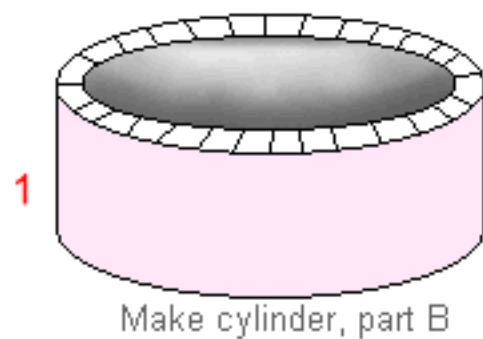
Make cone, stick pin in, from inside out.  
Cut to size until it touches black line.



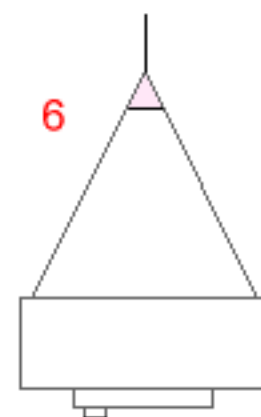
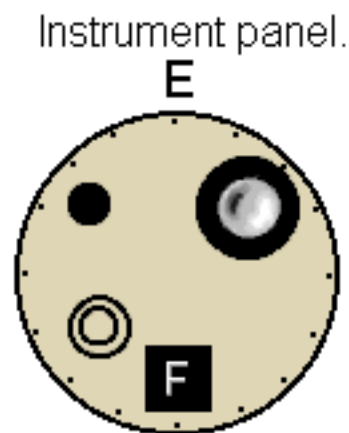
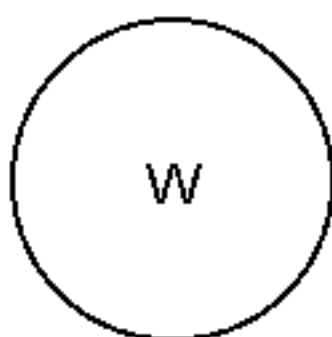
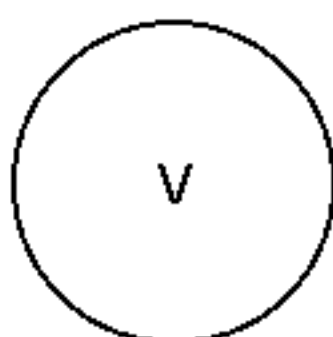
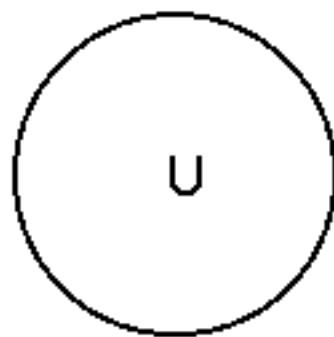
[www.lansbergen.net](http://www.lansbergen.net) (c) 2002

Paper model version by E. te Groen, for the Public Observatory Philippus Lansbergen, Netherlands.

# Pioneer 4 NASA



Place white cone G  
with pin or needle.



Stack these 4 circles and paint sides black. Make at least 4 mm thick. Cut out more circles if necessary to obtain thickness needed.