

A. Core LOX Tank



Attach bulkhead mounts (Parts 2-A) on other side of page aligned with gray outlines (top and bottom)

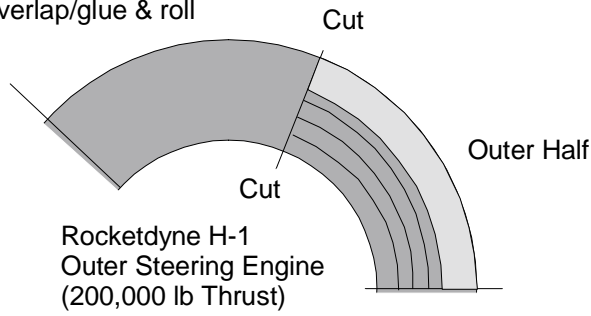
Roll into tube, glue at seam, then press bulkheads (Parts 2-B) into place against top and bottom bulkhead mounts.

Underfold Section

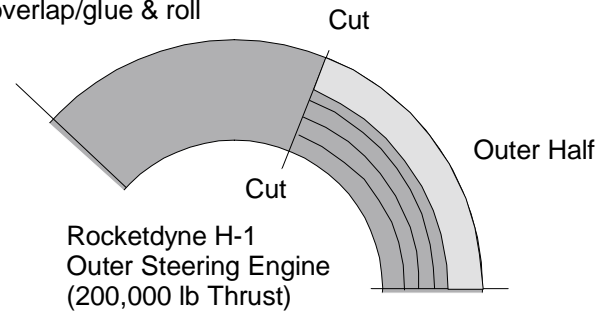


C. Rocketdyne Stage 1 (S1B) Engines (8)

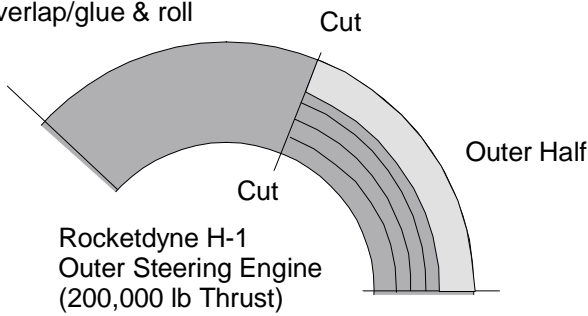
Inner Half - Turn to face inside.
Offset overlap/glue & roll



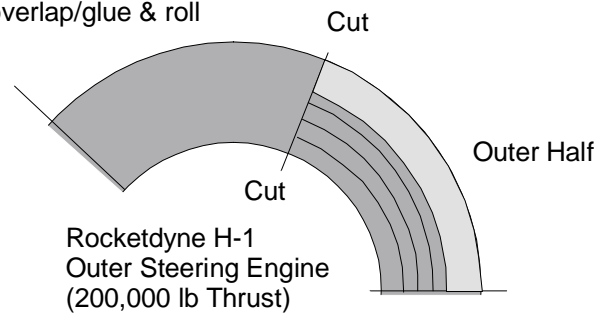
Inner Half - Turn to face inside.
Offset overlap/glue & roll



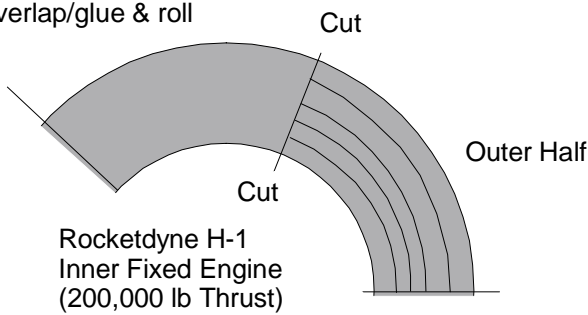
Inner Half - Turn to face inside.
Offset overlap/glue & roll



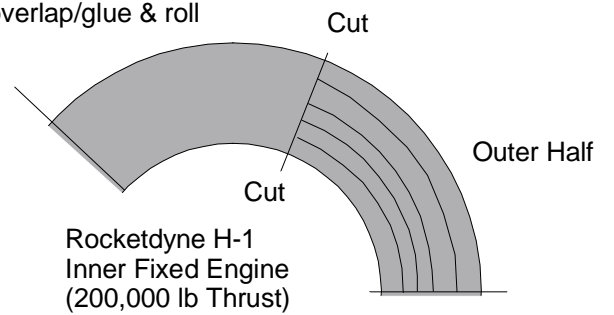
Inner Half - Turn to face inside.
Offset overlap/glue & roll



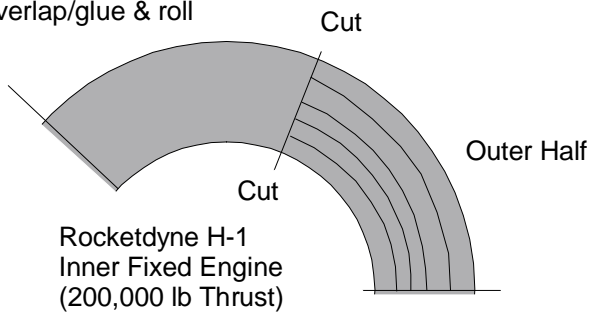
Inner Half - Turn to face inside.
Offset overlap/glue & roll



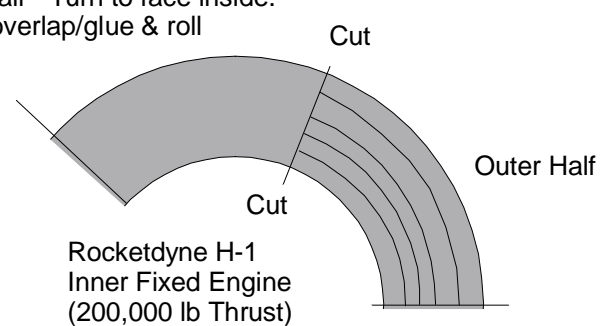
Inner Half - Turn to face inside.
Offset overlap/glue & roll



Inner Half - Turn to face inside.
Offset overlap/glue & roll



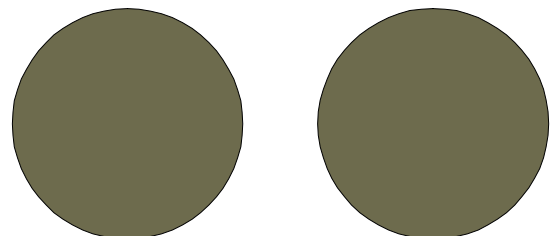
Inner Half - Turn to face inside.
Offset overlap/glue & roll



A. Core Lox Tank Bulkhead Mounts (Mount to Cardstock)



B. Core Lox Tank Bulkheads (Mount to Cardstock)



A. Outer LOX Tanks - one of four

Saturn 1B/Apollo 7 (SA-205)

Page 3 of 13

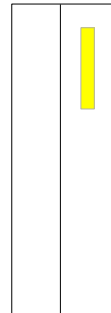
Copyright 2002

Print 4 copies of this page

Attach to core LOX tank.
Alternate LOX tanks with
fuel tanks.

B. Antennas (4)
Cement to Cardstock.
Glue to top of S1 stage
at positions I, II, III, IV
(See Instruction Photos)

underfold



Print 4 copies of this page

Attach to core LOX tank.
Alternate LOX tanks with
fuel tanks.

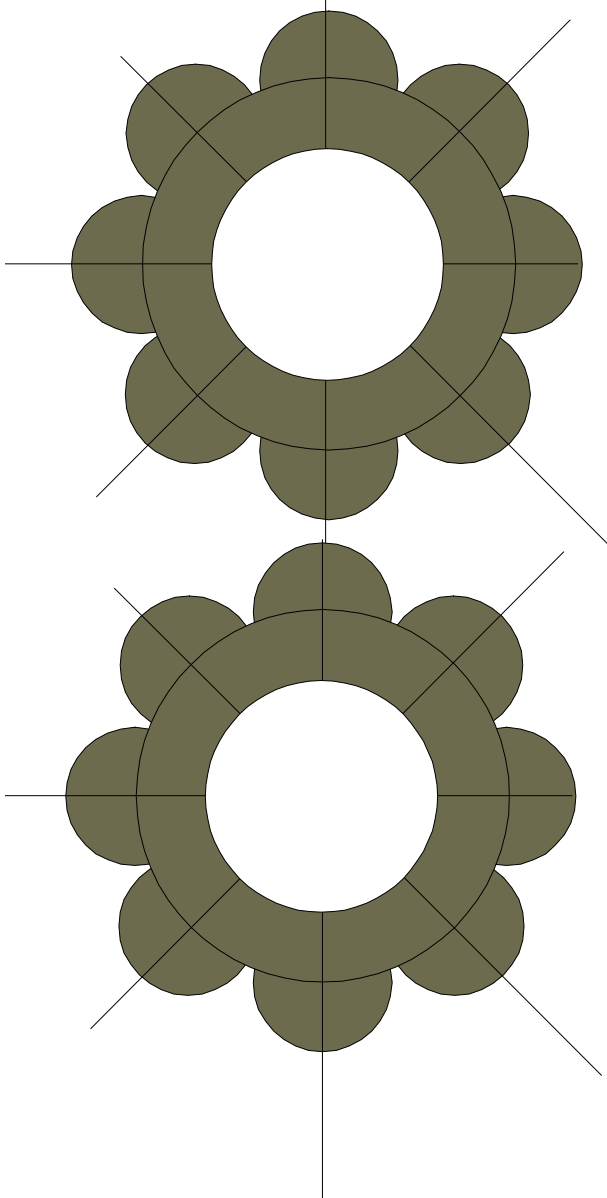
**U
N
I
T
E
D

S
T
A
T
E
S**

underfold

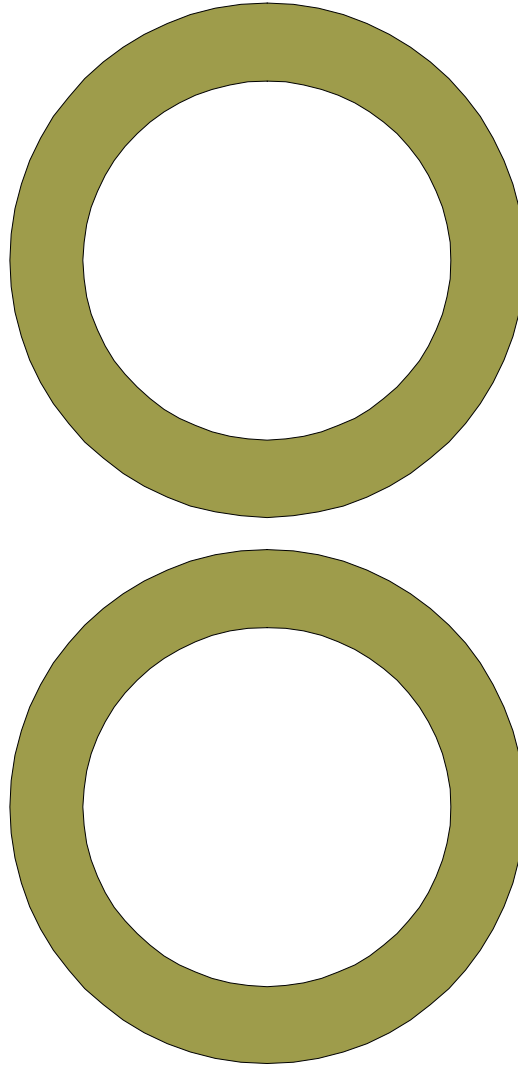
SA-205

**A. S1B Top and Bottom Bulkheads
(Glue to Double Layer Cardstock)**

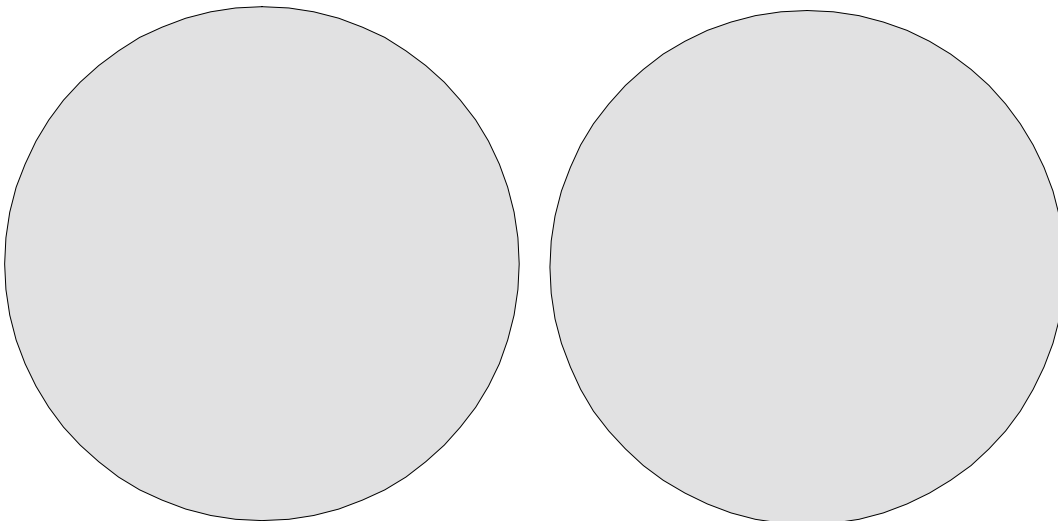


Saturn 1B/Apollo 7 (SA-205)

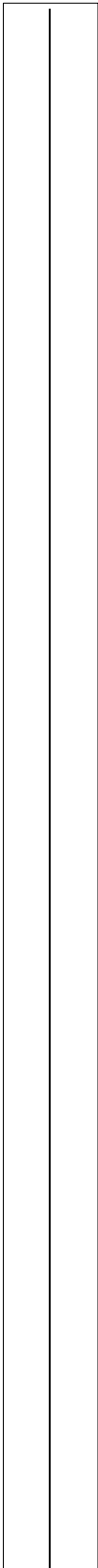
B. Interstage Bulkheads (2) (Glue to Double Layer Cardstock)



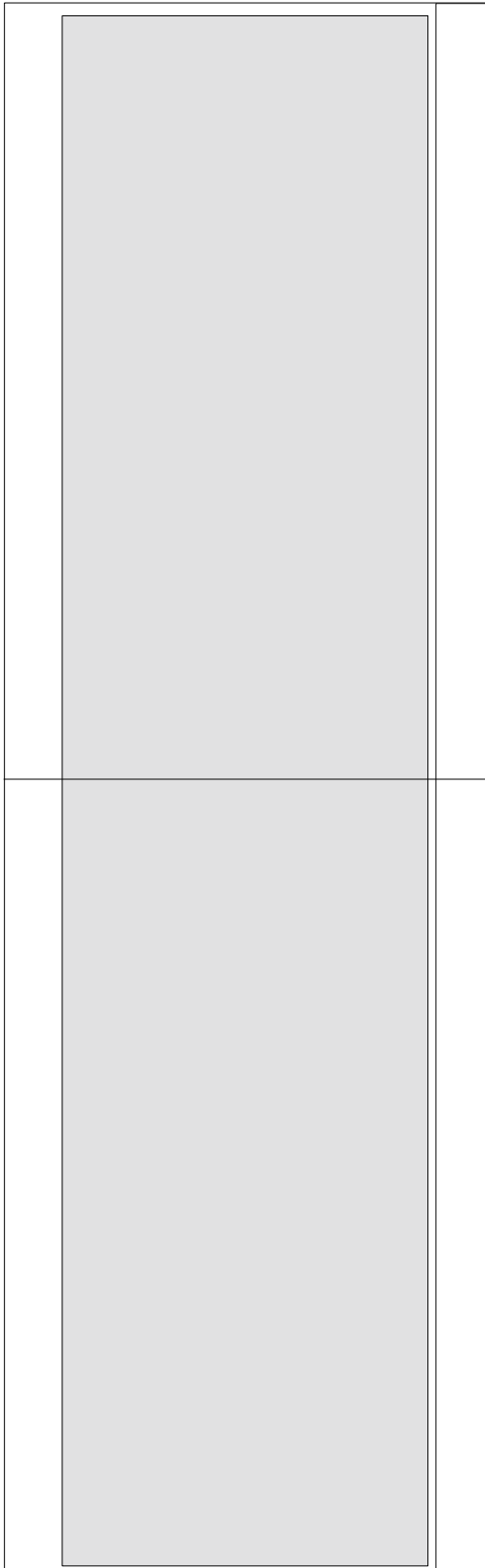
**C. SIVB (2nd) Stage Bulkheads (2)
(Glue to Double Layer Cardstock)**



C. Interstage Top Adapter (Glue to Cardstock, Insert Half into Top of Interstage)

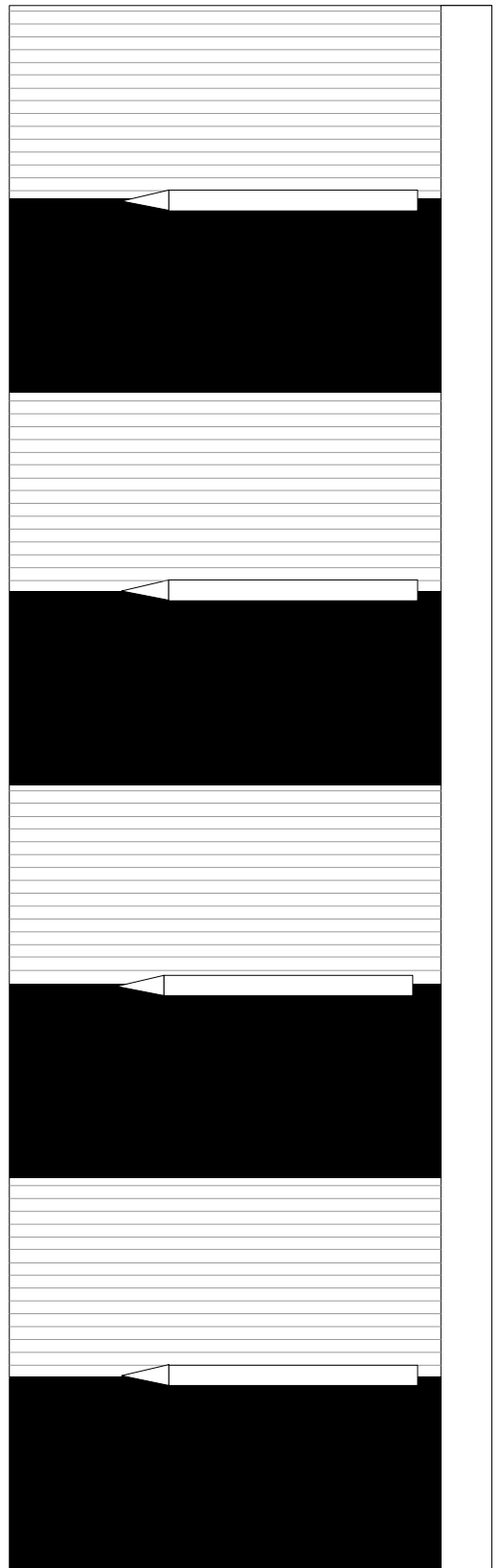


A. S-1B/S-IVB Interstage Inner Layer (Glue Cardstock to Gray Area, Glue Half to Outer Skin, Then Roll to Cylinder and Glue Other Half)

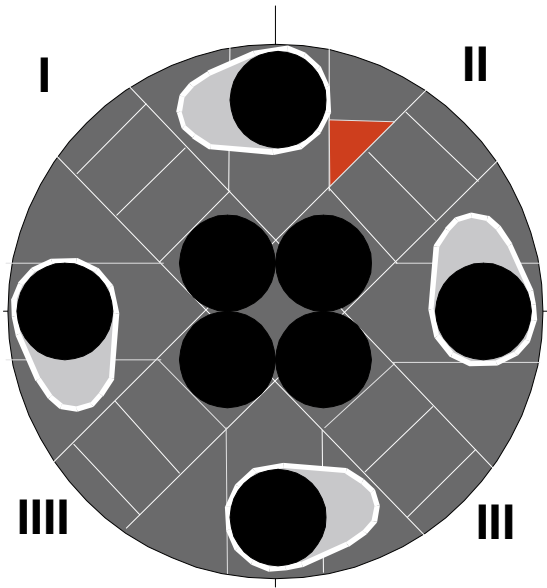


B. S-1B/S-IVB Interstage Skin

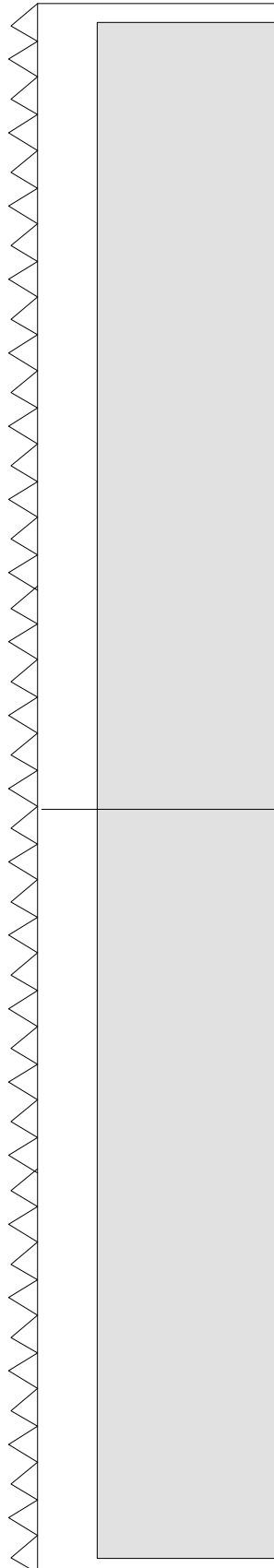
Top



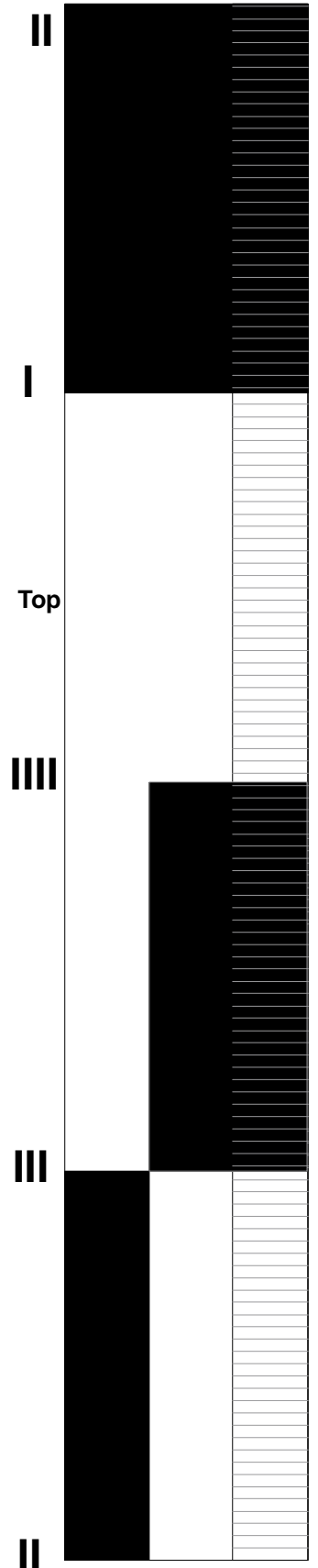
C. S-1B Engine Section Base
(Mount to Cardstock)



D. Cardstock Outline



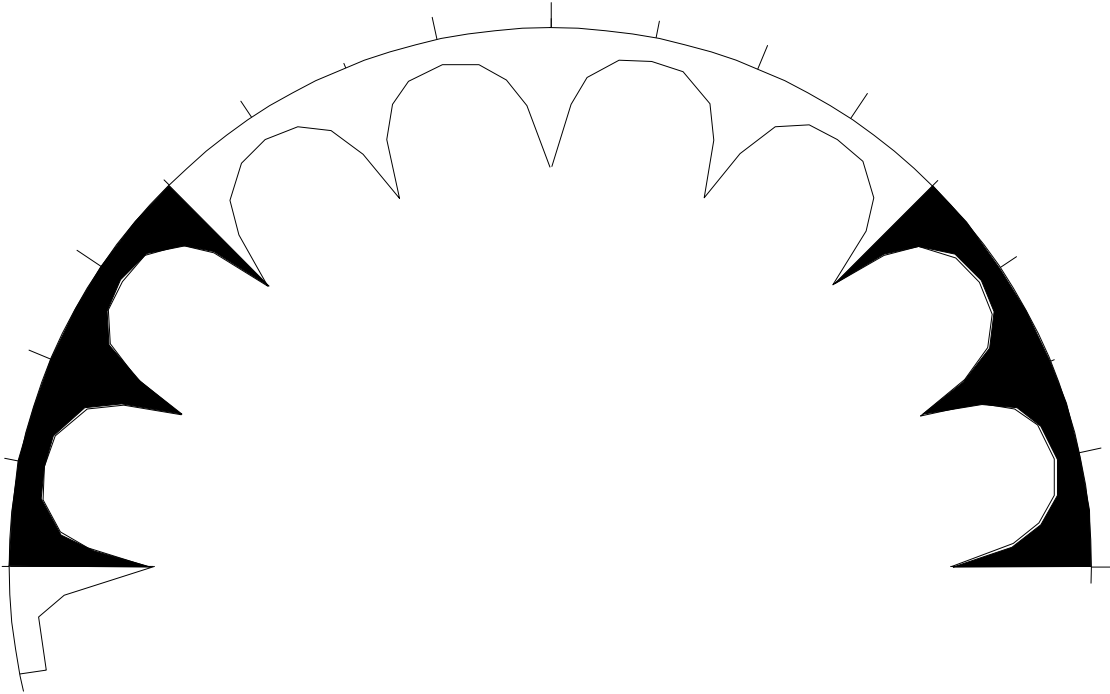
B. S-1B Engine Section
Outer Skin



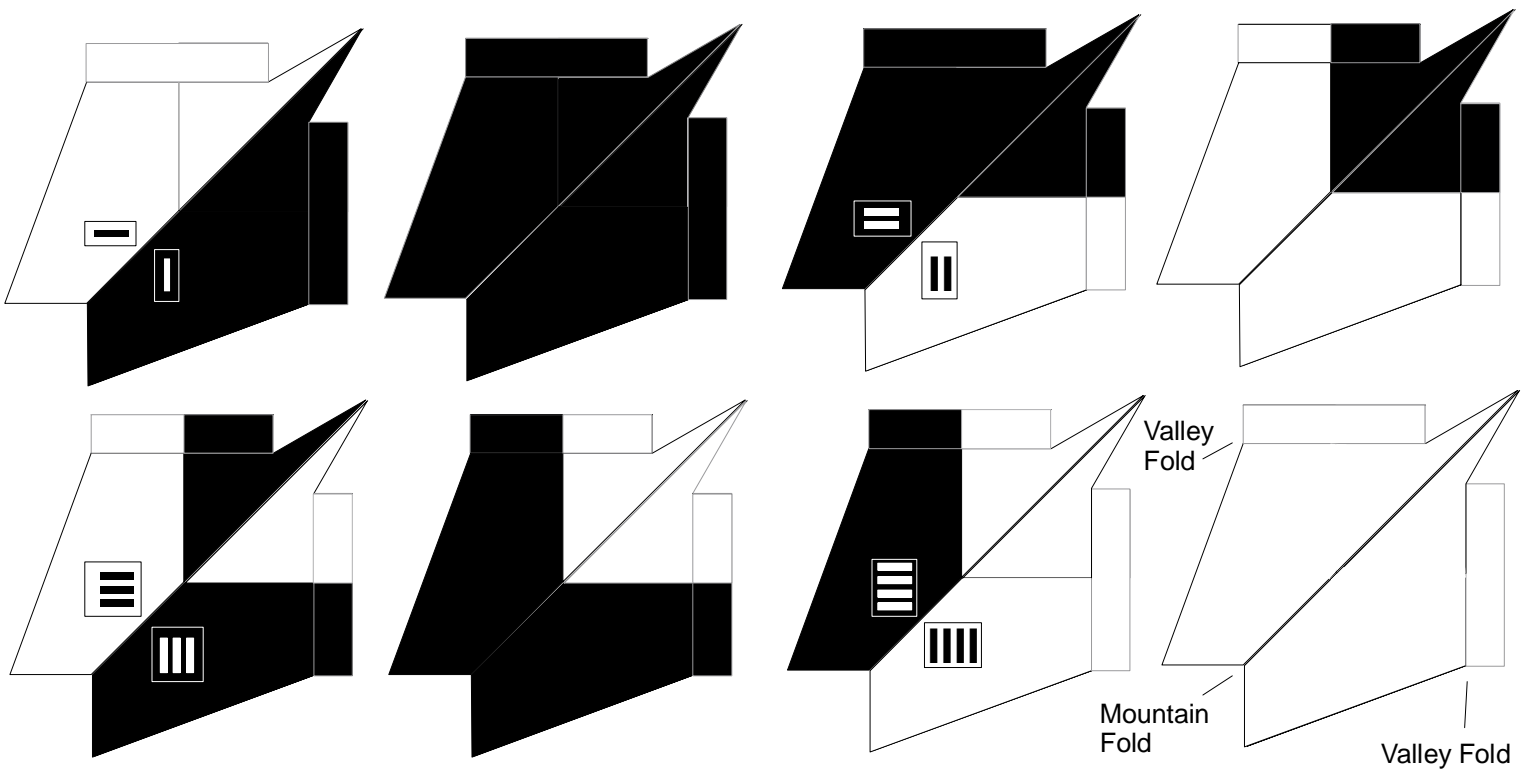
A. S-1B Engine Section Inner
Skin. (Glue Cardstock to Gray
Area, Glue Half to Outer Skin,
Then Roll to Cylinder and Glue
Other Half)

A. S-1B Engine Section Fairing

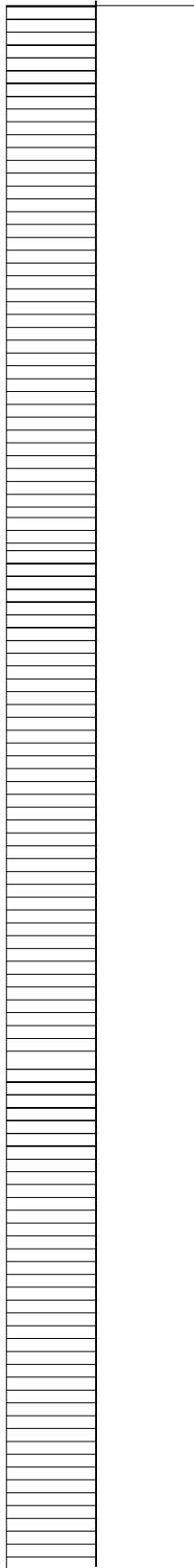
Note: Pages 9-13 will be Added
at a Later Date



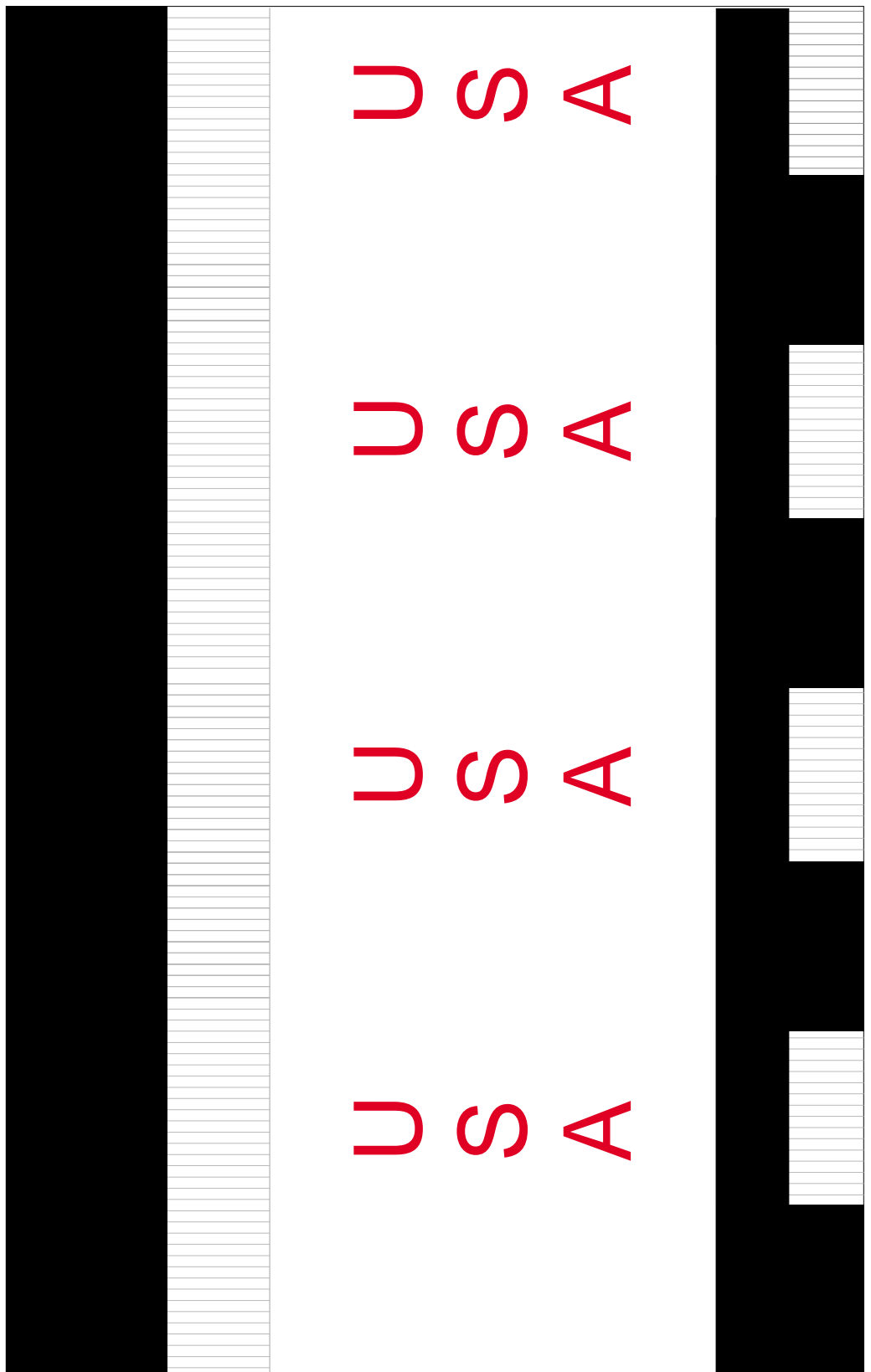
B. S-1B Fins



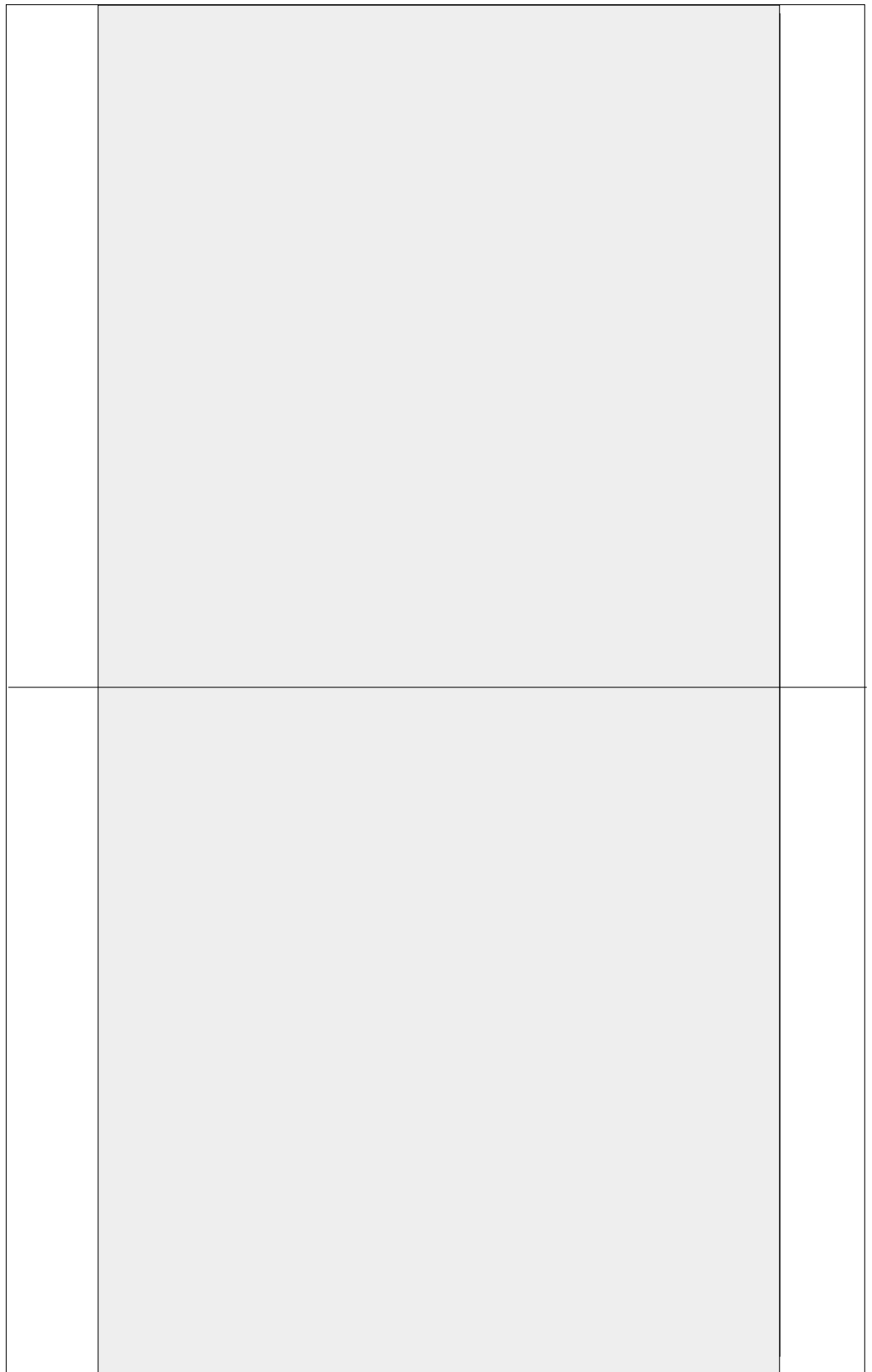
B. S-IVB/SLA Adapter



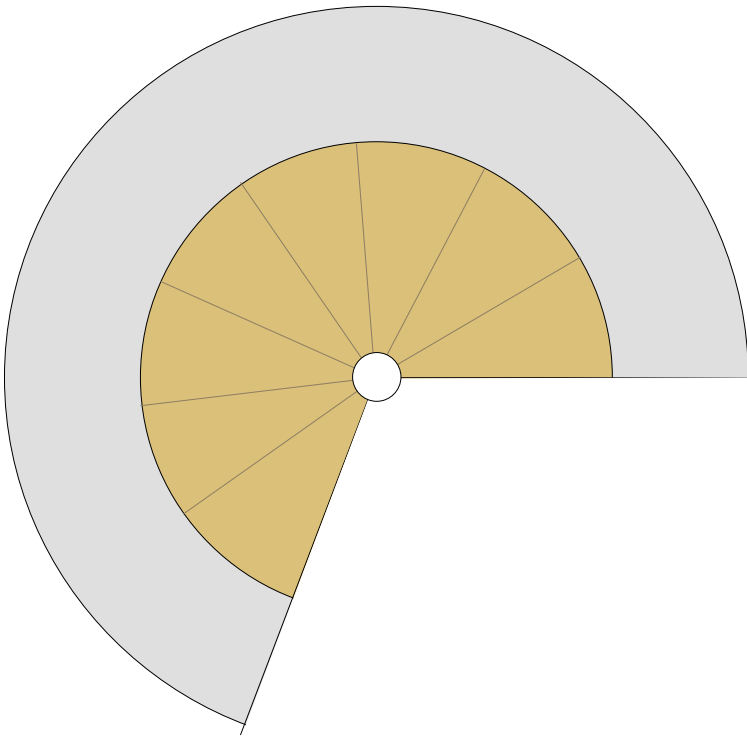
A. S-IVB Outer Skin



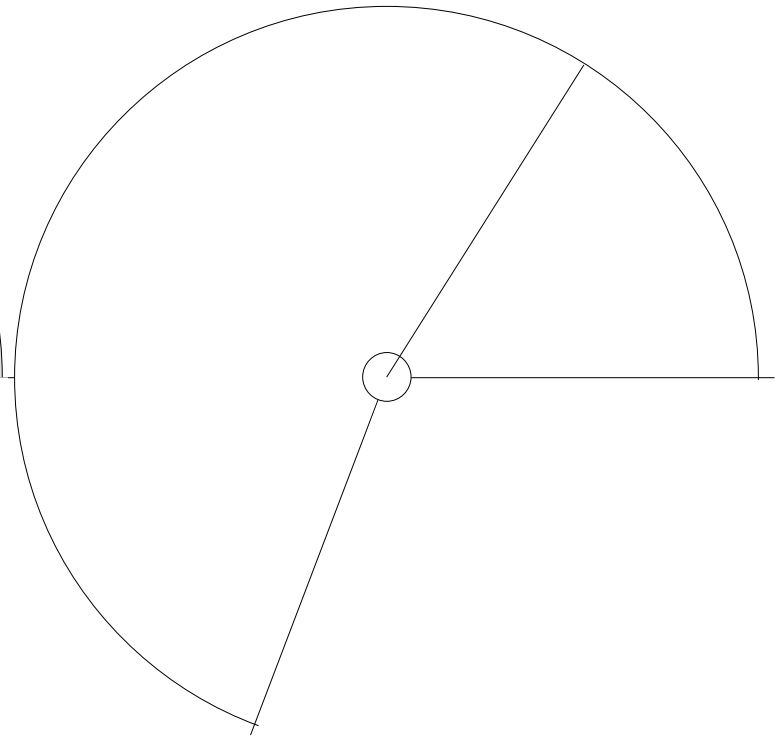
**A. S-IVB Inner Skin (Reinforce Gray Area with Card Stock.
Overlap with Outer Skin at Line , then Roll into Cylinder)**



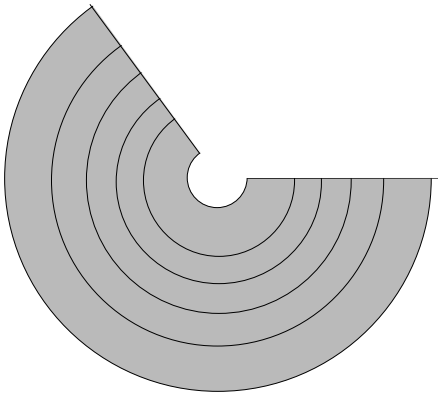
A. S-IVB Thrust Structure Outer Skin



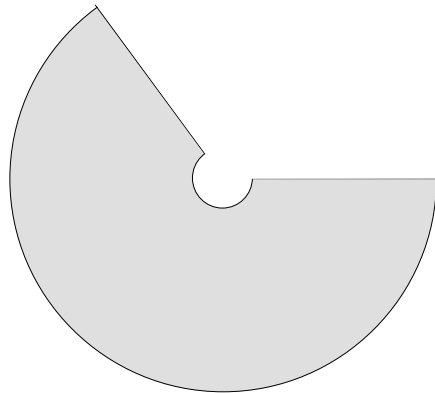
B. S-IVB Thrust Structure Inner Skin
(Overlap with Outer Skin and Roll into Cone)



C. S-IVB J-2 Engine Nozzle Outer Face

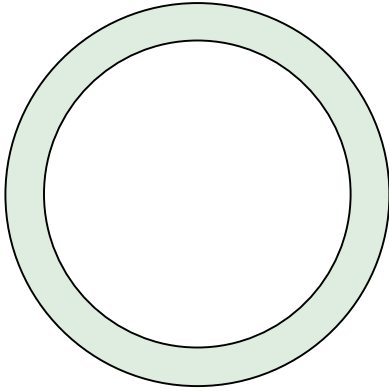


D. S-IVB J-2 Engine Nozzle InnerFace
(Turn Over, Overlap about Half with Outer Face, and Roll into Cone)



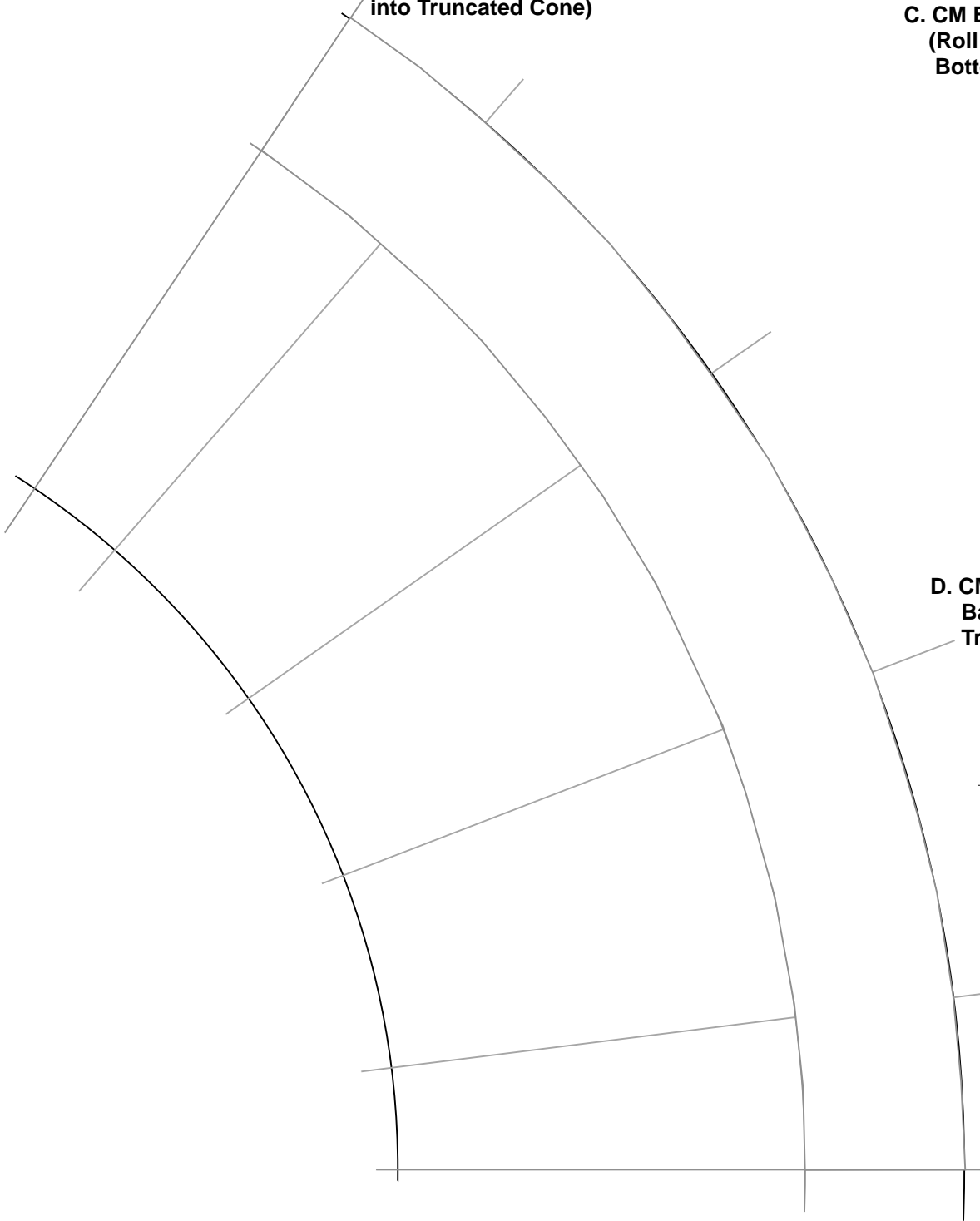
E. S-IVB J-2 Engine Thrust Chamber (Attach to Top of Nozzle, then Attach Engine to Thrust Structure Apex)



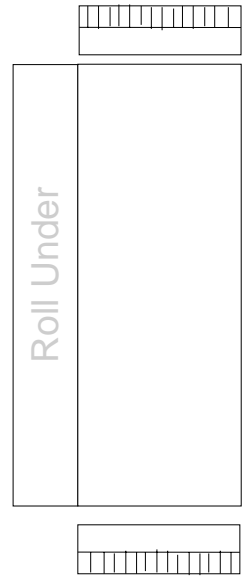


B. SLA Stiffener (For Model Integrity, Not Prototypical)
(Glue to Cardstock, Cut Out, Insert into Base of SLA Until Evenly Centered and Glue into Place.)

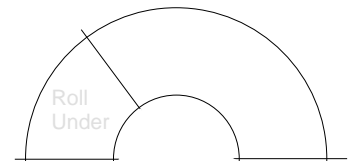
A. Spacecraft LM Adapter (SLA) Outer Skin
(Cut Out, Trace Outline for Inner Skin on Blank Paper, Overlap Two Parts About 50%, then Roll into Truncated Cone)



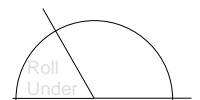
C. CM Escape Tower Rocket Body
(Roll into Cylinder, Insert Top and Bottom Adapters)



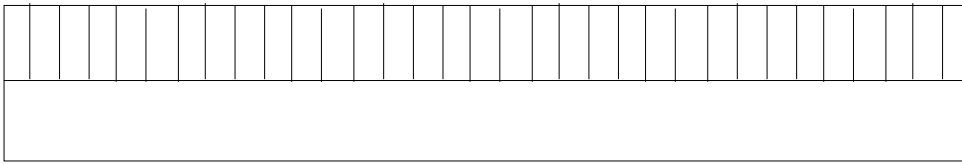
D. CM Escape Tower Rocket Base Fairing (Roll into Truncated Cone)



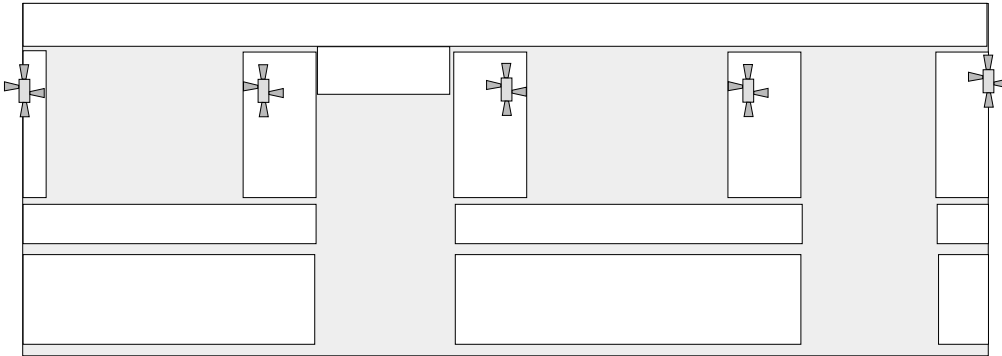
E. CM Escape Tower Rocket Nose Fairing (Roll into Cone)



E. Service Module Top Adapter (Insert After Top Bulkhead)



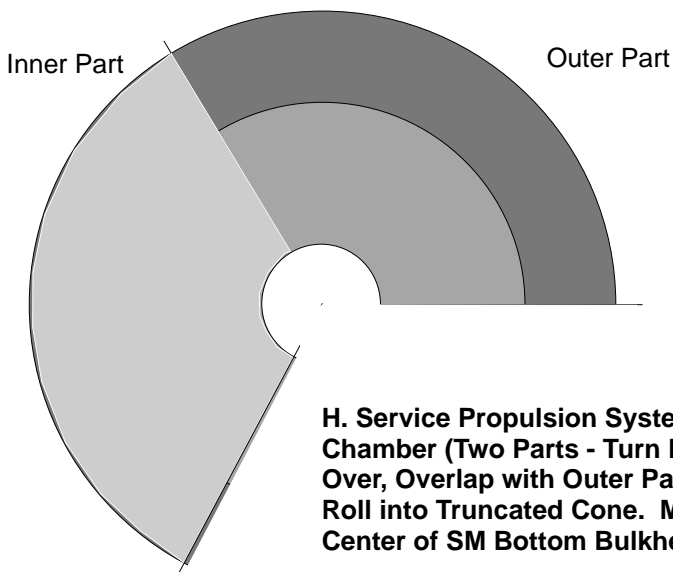
A. Service Module Outer Skin



B. Service Module Inner Skin on Cardstock (Overlap 50% with Outer Skin, Align Line with Bottom of Outer Skin)

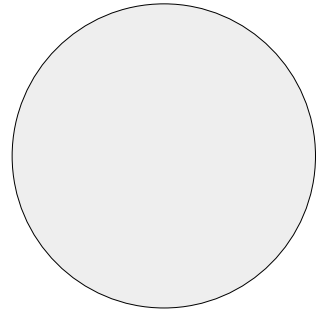


C. Service Module Inner Skin Bottom Bulkhead Mount on Card Stock (Glue Inside Inner Skin Near Base)

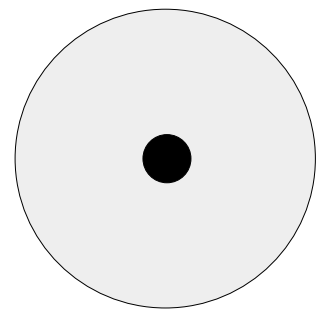


H. Service Propulsion System Thrust Chamber (Two Parts - Turn Inner Part Over, Overlap with Outer Part, and Roll into Truncated Cone. Mount to Center of SM Bottom Bulkhead)

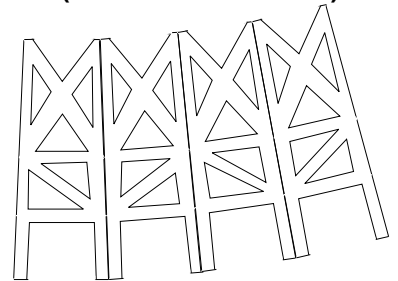
D. Service Module Top Bulkhead (Mount to Card Stock)



F. Service Module Bottom Bulkhead (Mount to Card Stock)



I. Command Module Launch Escape Tower (Mount to Card Stock)



G. Command Module Boost Protective Cover (Roll into Cone)

